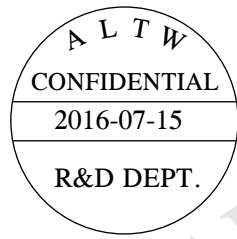
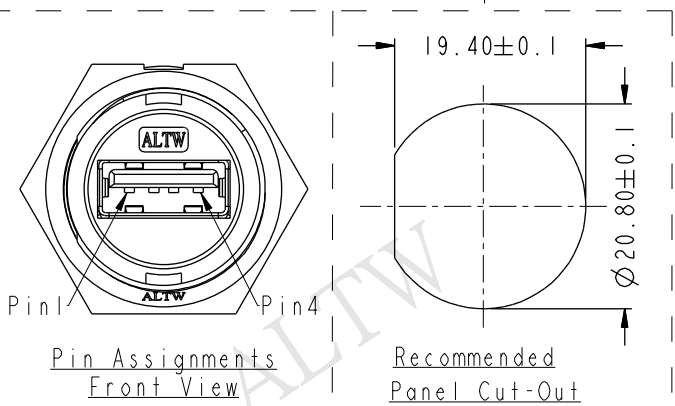
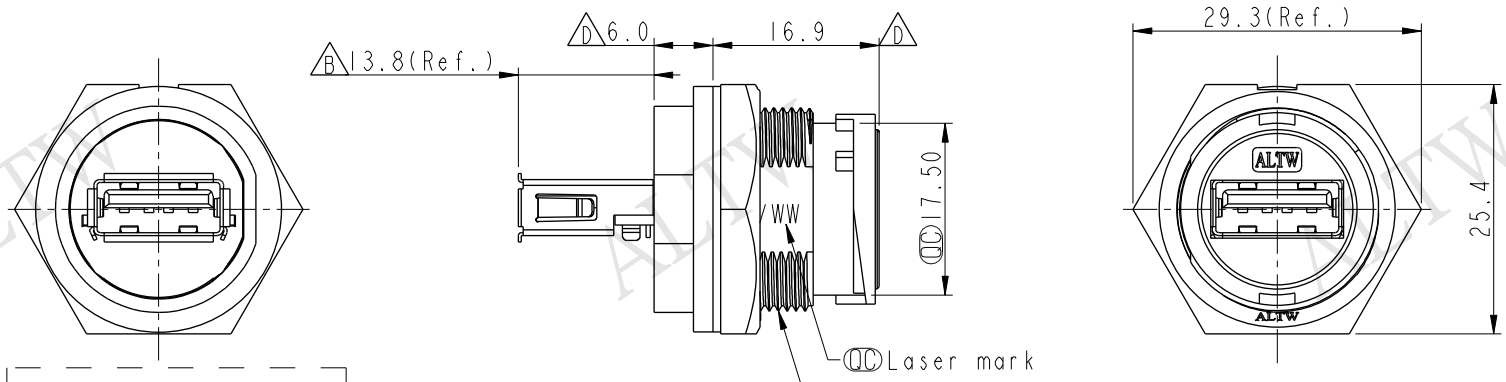
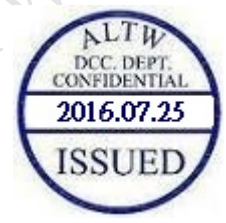
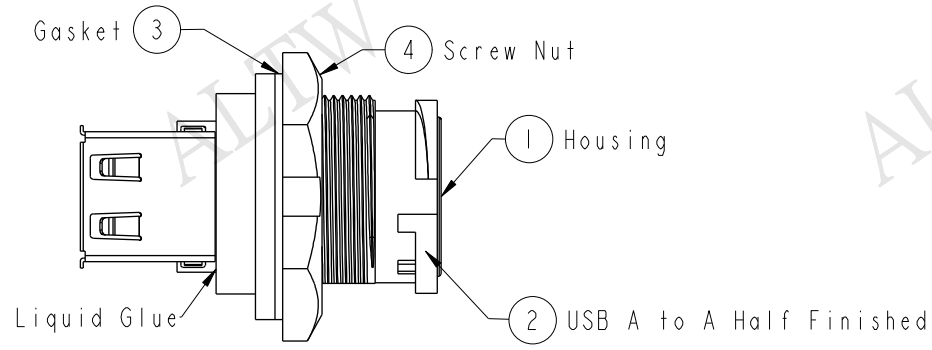


THIS DOCUMENT IS SUBJECT TO CHANGE WITHOUT NOTICE. IT IS CONFIDENTIAL AND A PROPERTY OF AMPHENOL LTW. DISCLOSURE TO THIRD PARTY HAS TO BE AUTHORIZED BY AMPHENOL LTW.

| REV. | ECN NO. | DATE | SIGN | DESCRIPTION |
|------|------------|------------|-------|---------------------------------------|
| B | LEN1630064 | 2016/03/02 | Ruru | Dimension 13.8 Change Reference value |
| C | LEN1640001 | 2016/03/29 | Vicky | Update Gasket Color |
| D | LEN1670227 | 2016/07/15 | Vicky | Update Screw Nut Material & Dime |

YYYY/WW
 ↑
 Years Weeks



- Note:
- * \varnothing Important Dimension.
 - * Waterproof Rate: IP67
 - * Connector: M-PPE, Black
 - * USB A type: Female 90° PCB, Gold Plated
 - * Gasket: Silicone, Black
 - * Screw Nut: Nylon+GF, Black
 - * Use with waterproof cap or dust cap For Panel Thickness Max: 2.8mm
 - * Use without waterproof cap or dust cap For Panel Thickness Max: 4.0mm

| | | | | | | |
|----------|---------------|---|----------------|------------------------------|---------------------|-----------------------------|
| UNIT: mm | SCALE REV. | TITLE USB A TO A JACK PANEL | | ITEM NO. UA-20PMFJ-NC7001 | DRAWN BY Vicky | DATE 2016-07-15 |
| | | TOLERANCE .X ±0.25 .XX ±0.1 .XXX ±0.05 ANGLES ±1° | SCALE 13:10 | SIZE A4 | SHEET 1 OF 1 | DWG NO. UA-20PMFJ-NC7001 |
| | | REV. D | WC-REV. A.2 | CUSTOMER ALTW | APPROVED BY Lisa | DATE 2016-07-15 |

Amphenol LTW
安費諾亮泰企業股份有限公司